





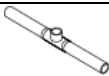
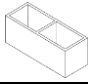


A. Typical Applications

| Item | Parameter |
|-------------|---|
| Description | VM-880 Ferrous Metal Detector |
| Uses | Locating & pinpointing buried ferrous objects |

B. Nominal Locating Capability

Typical metal (ferrous or steel) objects are shown here. Depth indications are typically distances. The Depth range depends on mass of the metal and may vary greatly from what is indicated below.

| Depth | Ferrous or Steel | Depth | Ferrous or Steel |
|---|---|---|---|
| Small PK Nail Up to 6 in (15 cm) |  | Cast Iron Pipe Joint Up to 9 ft (2.7m) |  |
| 1½ in(4 cm) Large PK Nail Up to 10in (25 cm) |  | Manhole cover Up to 10ft (3m) |  |
| Marker Stake Up to 8ft (2.4m) |  | 5in Iron Pipe Up to 10ft (3m) |  |
| Valve Box Up to 10ft (3m) |  | Large Iron Tank Up to 16ft (4.8m) |  |

C. VM-880 Ferrous Metal Detector

| Item | Parameter |
|----------------------|---|
| Construction | <ul style="list-style-type: none"> - Carbon fiber reinforced antenna tube - High impact thermoplastic (ABS) injection molded housing |
| Weight | 1.54lbs (0.7kg) |
| Dimensions | 43in(L) x 2.5in(W) x 2.6in(H) (1090mm x 88mm x 67mm) |
| Digital Display | Indicates polarity, signal level, battery condition and power signal warning |
| Piezo Speaker | Tone frequency increases or decreases with gradient field intensity. |
| Receiver Antennas | Dual magnetometers |
| Batteries | - 2 x AA (LR6) Alkaline batteries |
| Battery Life | - Alkaline – typically 26 hours continuous use at 70°F (21°C) |
| Controls | - Pushbutton keypad: On/Off/Speaker, sensitivity '+' and '-', auto sensitivity, screen invert |
| Connectors | - 1 x mini USB socket for programming |
| Approvals | <ul style="list-style-type: none"> - Complies with European standard CE (Directive 99/5/EC) <ul style="list-style-type: none"> • EN 55011 • EN 61000-4-2 • EN 61000-4-3 • EN 61000-4-8 - Complies with FCC Rules Part 15 <ul style="list-style-type: none"> • CFR 47 Part 15: 2006 |
| Standard Accessories | <ul style="list-style-type: none"> - Soft carry bag - Quick guide |

D. Operational

| Item | Parameter |
|---------------|--|
| Configuration | <ul style="list-style-type: none"> - On/off/speaker <ul style="list-style-type: none"> • Short press to turn on • Short press toggles volume (zero, middle, max) • Long press to turn off |

| | |
|--|--|
| | <ul style="list-style-type: none"> - Auto Time Off <ul style="list-style-type: none"> • Unit will shut down if no control button is touched for 15 mins. - '+' increases sensitivity - '-' decreases sensitivity - Auto sensitivity pushbutton <ul style="list-style-type: none"> • Adjust sensitivity to the center for given magnetic field • Long press to invert screen |
|--|--|

E. Environmental

| Item | Parameter |
|--------------------|---|
| Temperature Range | Operating: 14°F to 120°F (-10°C to 50°C) Storage: -40°F to 140°F (-40°C to 60°C) |
| Weather Proof | IP54 and NEMA 4 |
| Shipping Weight | 4.4lbs (2kg) |
| Shipping Dimension | 47in(L) x 3in(W) x 6.7in(H) (1195mm x 80mm x 170mm) |

F. Warranty

| Item | Parameter |
|----------|-----------|
| Warranty | 12 months |

G. Features

| Item | Parameter |
|-------------------|---|
| Enhanced Features | <ul style="list-style-type: none"> - Enhanced ergonomic design - Visual and audible output - Field polarity indication - Superior sensitivity over wide temperature range - Rejects non-magnetic objects - Weather resistant - High rejection of power source <ul style="list-style-type: none"> - interference - Lightweight - High-impact construction - Rugged - Compact - 50/60Hz power proximity warning - Screen invert |

Disclaimer: Product and accessory specification and availability information is subject to change without prior notice.

Vivax-Metrotech Corp. (Headquarter)
3251 Olcott Street, Santa Clara, CA 95054, USA

T/Free: +1-800-446-3392
Tel: +1-408-734-1400
Fax: +1-408-734-1415
Email: sales@vxmt.com
Website: www.vivax-metrotech.com

Please visit www.vxmt.com for other locations.

All products are designed and manufactured in accordance with ISO 9001:2008

Updated: June 2014